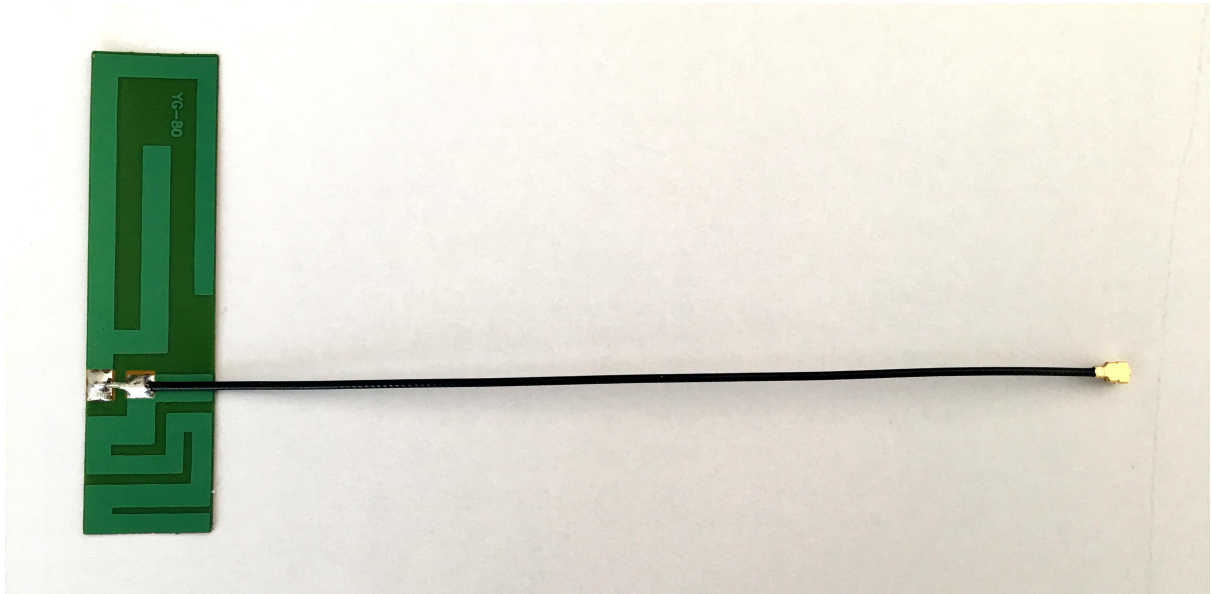
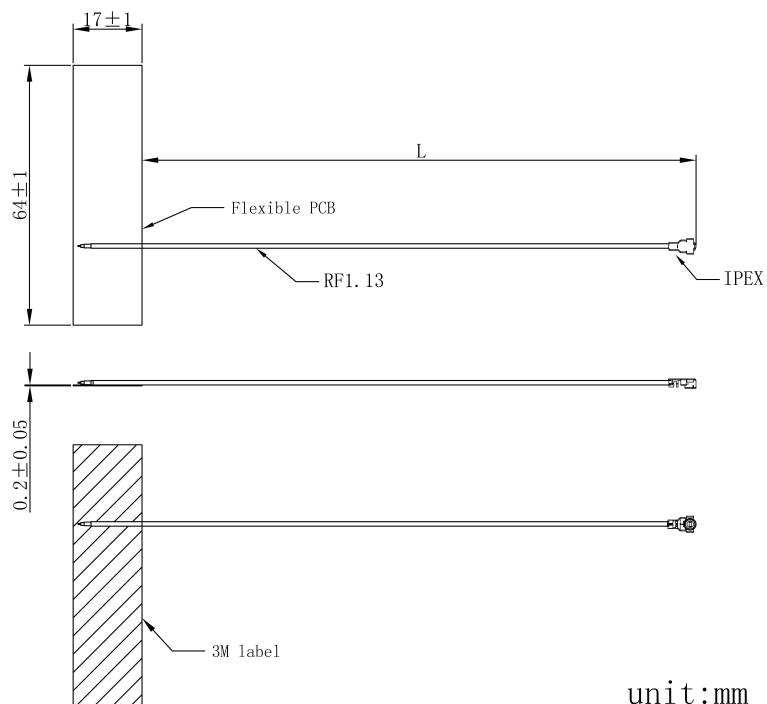


LTE Internal Antenna JCG146



DIMENSIONS





SPECIFICATIONS

Item	Specifications	
Antenna	Frequency Range	698~960/1710~2690MHz
	Polarization	Linear
	Gain	2dBi
	V.S.W.R	<3.0
	Impedance	50 Ω
	FPC Dimension	64*17*0.2mm
Mechanical	Cable	RF1.13 or others
	Connector	IPEX
	Mounting Method	Embedded
Environmental	Operating Temperature	-40°C~+85°C
	Vibration	10 to 55Hz with 1.5mm amplitude 2hours
	Environmentally Friendly	ROHS Compliant