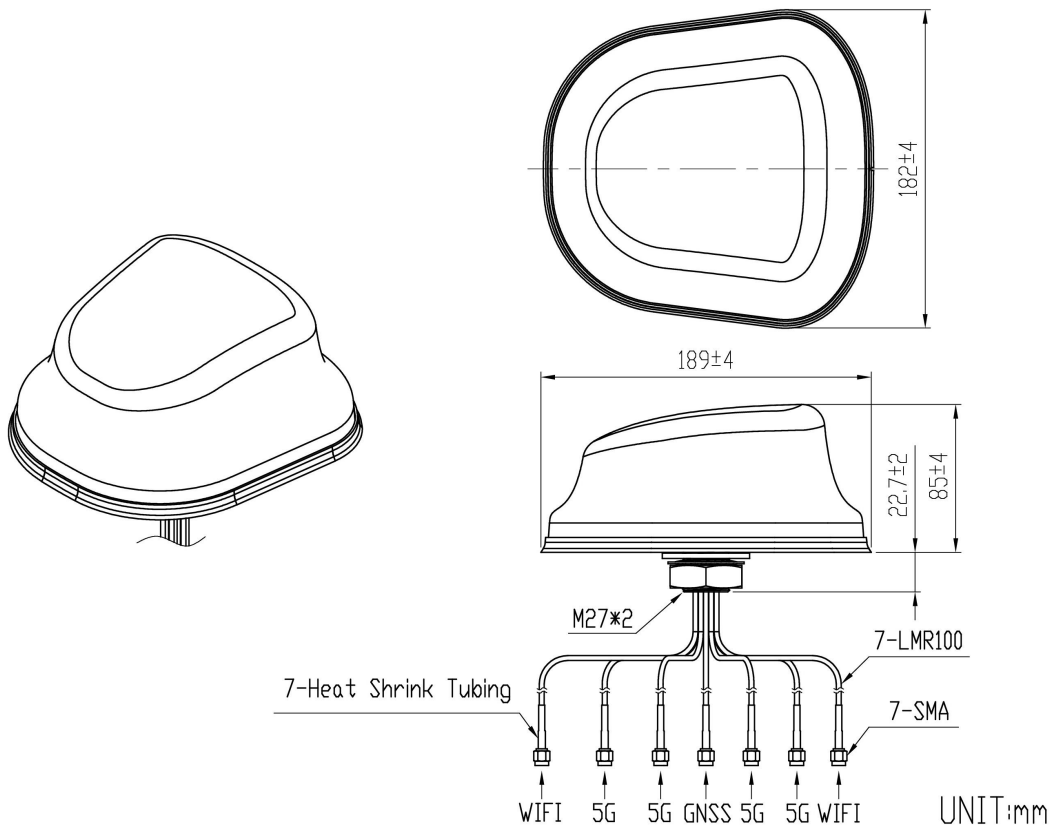


GNSS+NR MIMO×4+WIFI MIMO Antenna JCE605NR4WM



DIMENSIONS



JIAXING JINCHANG ELECTRONIC TECHNOLOGY CO.,LTD

Add: 398#,Zhenye Road, South Street, Jiaxing, Zhejiang, China

Http:// www.jinchanggps.com

E-mail:jcgps@vip.163.com

Tel: 86-0573-83692157/83692605/83958637 Fax:86-0573-83958635

SPECIFICATIONS

Item	Specifications	
GNSS Antenna	Frequency	GPS L1/L2/L5 GLONASS G1/G2/G3 COMPASS B1/B2/B3 Galileo E1/L1/E2/E5a/E5b/E6
	Polarization	RHCP
	LNA Gain	40 ± 2dB
	Noise Figure	≤2.0dB
	Supply Voltage	3~12V DC
	Current Consumption	≤60mA
	V.S.W.R	<2.0
	Impedance	50 Ω
5G NR Antenna MIMO*4	Frequency Range	698~960MHz/1710~2690MHz/2900~3800MHz
	V.S.W.R	<3.0
	Polarization	Linear
	Gain	4dBi (Typ.)
	Impedance	50Ω
WIFI Antenna MIMO*2	Frequency Range	2400~2483.5MHz/4900~5925MHz
	V.S.W.R	<2.5
	Polarization	Linear
	Gain	4dBi (Typ.)
	Impedance	50Ω
Mechanical	Cable	LMR100*7
	Connector	SMA or others
	Material	PC/ABS
	Mounting Method	Screw
Environmental	Operating Temperature	-40°C~+85°C
	Relative Humidity	Up to 95%
	Ingress Protection	IP67 (exclude cable outlet)

JIAXING JINCHANG ELECTRONIC TECHNOLOGY CO.,LTD

Add: 398#,Zhenye Road, South Street, Jiaxing, Zhejiang, China

Http:// www.jinchanggps.com

E-mail:jcgps@vip.163.com

Tel: 86-0573-83692157/83692605/83958637 Fax:86-0573-83958635



Jinchang Electron Global Service

	Vibration	10 to 55Hz with 1.5mm amplitude 2hours
	Environmentally Friendly	ROHS Compliant

JIAXING JINCHANG ELECTRONIC TECHNOLOGY CO.,LTD

Add: 398#,Zhenye Road, South Street, Jiaxing, Zhejiang, China

Http:// www.jinchanggps.com E-mail:jcgps@vip.163.com

Tel: 86-0573-83692157/83692605/83958637 Fax:86-0573-83958635