



Jinchang Electron Global Service

GNSS 3D Choke Ring Antenna **JCA229**



JIAXING JINCHANG ELECTRONIC TECHNOLOGY CO.,LTD

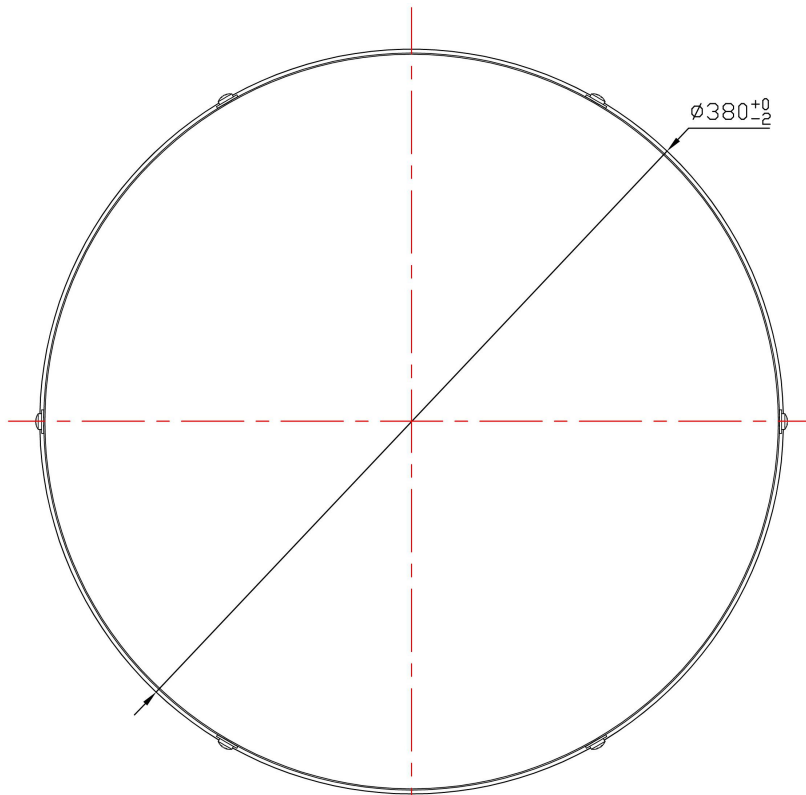
Add: 398#, Zhenye Road, South Street, Jiaxing, Zhejiang, China

Http:// www.jinchanggps.com

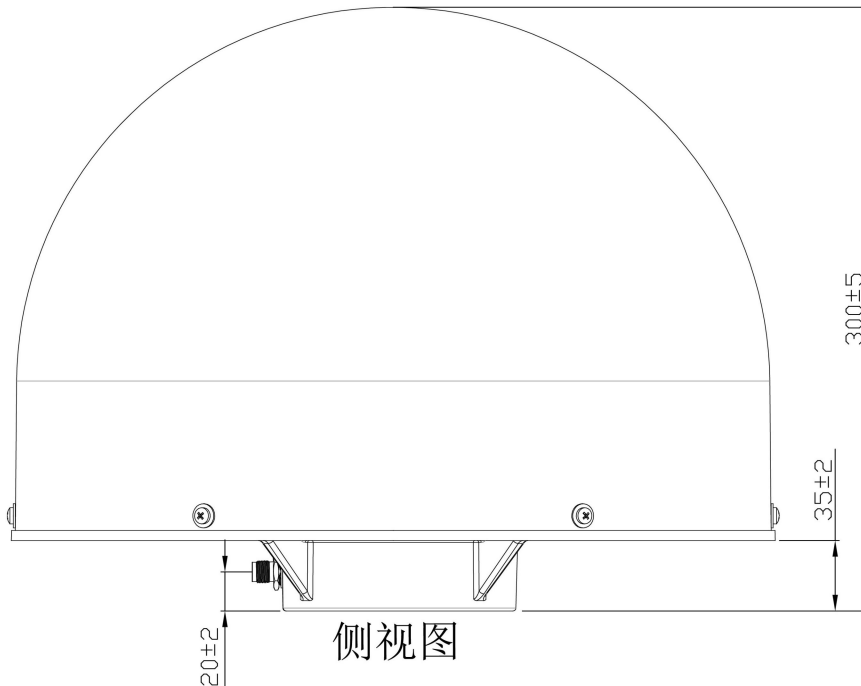
E-mail: jcgps@vip.163.com

Tel: 86-0573-83692157/83692605/83958637 Fax: 86-0573-83958635

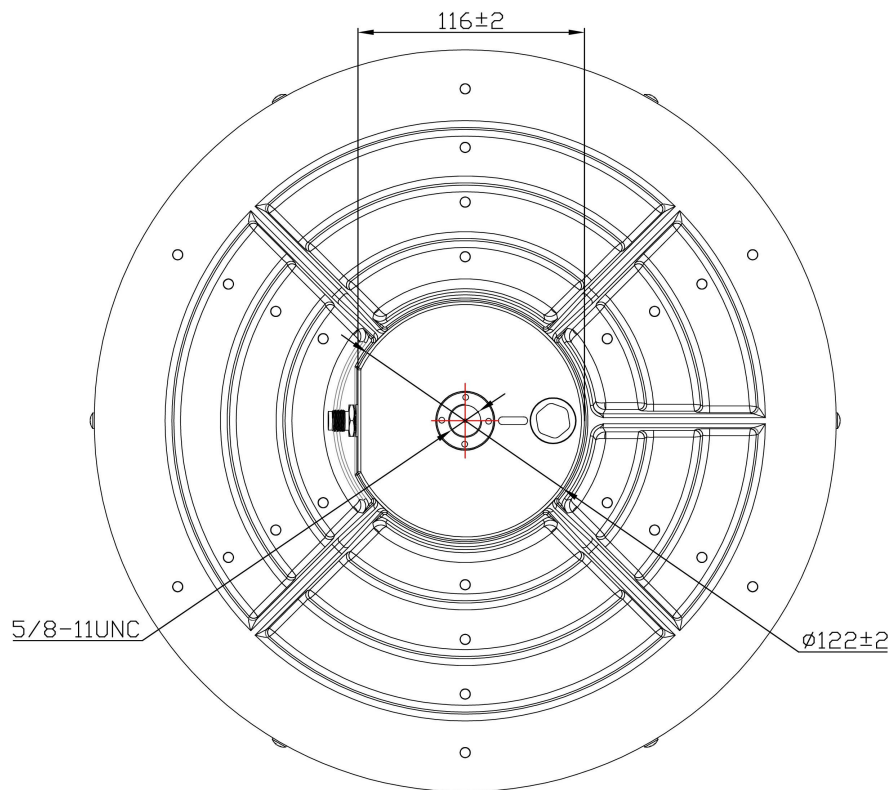
DIMENSIONS



顶视图



侧视图



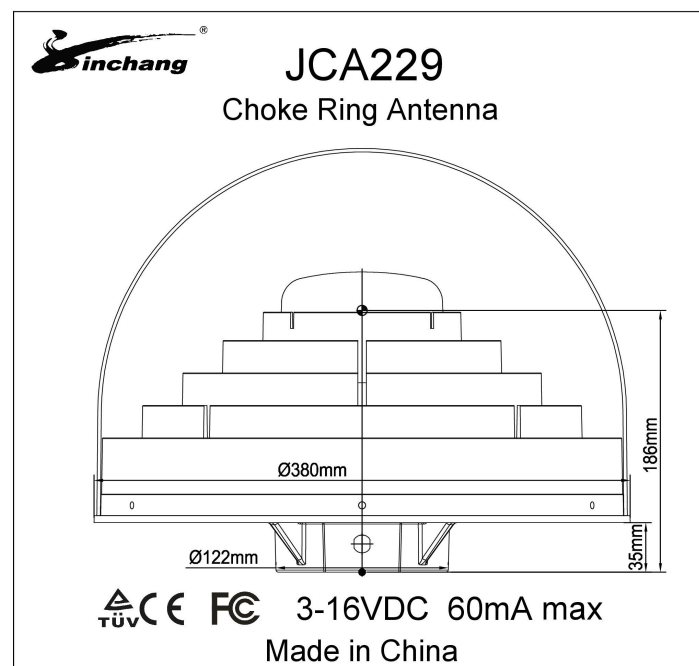
底视图

SPECIFICATIONS

Item	Specifications	
Antenna	Frequency	GPS L1/L2/L5 GLONASS G1/G2/G3 COMPASS B1/B2/B3/B1C/B2a/B2b Galileo E1/E2/E5a/E5b/E6 L-Band IRNSS L1/L5
	Polarization	RHCP
	Axial Ratio	≤3dB
	V.S.W.R	≤2.0
	Peak Gain	≥7dBi
	Impedance	50 Ω

	Phase Center Error	$\pm 1.5\text{mm}$
	Horizontal coverage angle	360°
LNA	Gain	$45 \pm 2\text{dB}$
	Noise Figure	$\leq 2\text{dB}$
	Passband fluctuation	$\pm 1.5\text{dB}$
	Supply Voltage	3~16V DC
	Current Consumption	$\leq 60\text{mA}$
	P1dB	$\geq 0\text{dBm}$
	V.S.W.R	≤ 2.0
	Mechanical	Connector
Dimension		$\Phi 380*300\text{mm}$
Environmental	Operating Temperature	$-40^\circ\text{C} \sim +85^\circ\text{C}$
	Storage temperature	$-55^\circ\text{C} \sim +85^\circ\text{C}$
	Relative Humidity	Up to 95% (Non condensing)

Antenna Reference Point&Phase Center



JIAXING JINCHANG ELECTRONIC TECHNOLOGY CO.,LTD

Add: 398#, Zhenye Road, South Street, Jiaxing, Zhejiang, China

Http:// www.jinchanggps.com

E-mail: jcgps@vip.163.com

Tel: 86-0573-83692157/83692605/83958637 Fax: 86-0573-83958635